

MIS-2500 series (Preliminary) Integrated Pressure Sensor

■ Features

- Factory calibrated and temperature compensated
- ±1.3%FS accuracy (20 to 60°C)
- 3V or 5V rail to rail ratiometric analog output
- Gauge pressure or vacuum type
- Pressure range: 1, 5.8, 15, 30, 150 psi & -1000 , -250, -150 mbar

■ Applications

- Industry control
- Medical instrumentation
- Pressure switch
- Hospital bed
- Pump control

The MIS-2500 is a intelligent pressure sensor which consist of a MEMS piezoresistive pressure sensor and a CMOS sensor interface IC. The interface IC enables easy and precise calibration of resistive bridge sensors via EEPROM. It correct digitally offset 、 gain and both temperature coefficients. All devices were factory calibrated and temperature compensated. Using MIS-2500 series is easy to get rid of bothersome calibrations and temperature compensations. The MIS-2500 can provide 3V or 5V rail-to-rail ratiometric analog output.

■ Specifications

Parameter	Min	Typ	Max	Units	Notes
Absolute Maximum Ratings					
Supply Voltage	-0.3		6.0	V	
Maximum Overpressure			2X	Rated pressure	
Storage Temperature Range	-40		125	°C	
Operating Temperature Range	-40		85	°C	
Operating humidity	0		95	% RH	No condensation
Media Compatibility	Clean, dry air & non-corrosive gases				
Recommended Operating Conditions					
Pressure Range	1、5.8、15、30、150 Psi & -1000, -250,-150 mbar				
Supply Voltage				V	
MIS-2500 series	4.75	5	5.25		
MIS-2503 series	2.7	3	3.3		
Supply Current			2	mAdc	
Power ON Rise Time			100	ms	
Offset voltage (0 to 85°C)				V	rail to rail output
MIS-2500 series	0.16	0.25	0.34		
MIS-2503 series	0.096	0.15	0.204		
MIS-2507 series	0.11	0.2	0.29		
Full scale output (0 to 85°C)				V	rail to rail output
MIS-2500 series	4.66	4.75	4.84		
MIS-2503 series	2.796	2.85	2.904		
MIS-2507 series	4.61	4.7	4.79		
Full scale span (0 to 85°C)				V	rail to rail output
MIS-2500、MIS-2507 series	4.32	4.5	4.68		
MIS-2503 series	2.592	2.7	2.808		
Accuracy				%FS	
20°C ≤ T ≤ 60°C	-1.3		1.3		
0°C ≤ T < 20°C & 60°C < T ≤ 85°C	-2		2		
Response time		1		ms	
Warm-up time		20		ms	

Offset stability			±0.25	%FS	
External Capacitance between Vdd and Gnd	100	220	470	nF	
Output load Capacitance		10	15	nF	
Notes :					
1. Unless otherwise specified, measurements were taken with a supply voltage of 5 Vdc at a temperature of 25±3°C and humidity ranging from 25% ~85% .					
Metrodyne Microsystem Corp. reserves the right to make changes to the product specification in this publication.					

■ Ordering Information

GR : Lead directed as pressure port

Part No.	Pressure type	Pressure range	Supply voltage	Note
MIS-2500-001G or GR	Gauge	1 PSI	5V	
MIS-2500-006G or GR	Gauge	5.8 PSI	5V	
MIS-2500-015G or GR	Gauge	15 PSI	5V	
MIS-2500-030G or GR	Gauge	30 PSI	5V	
MIS-2500-150G or GR	Gauge	150 PSI	5V	
MIS-2500-015V	Vacuum	-1000mbar	5V	Vacuum
MIS-2500-D36V	Vacuum	-250mbar	5V	Vacuum
MIS-2500-D22V	Vacuum	-150mbar	5V	Vacuum
MIS-2503-001G or GR	Gauge	1 PSI	3V	
MIS-2503-006G or GR	Gauge	5.8 PSI	3V	
MIS-2503-015G or GR	Gauge	15 PSI	3V	
MIS-2503-030G or GR	Gauge	30 PSI	3V	
MIS-2503-150G or GR	Gauge	150 PSI	3V	
MIS-2503-015V	Vacuum	-1000mbar	3V	Vacuum
MIS-2507-150G or GR	Gauge	150 PSI	5V	0.2 to 4.7V

■ Transfer Function

$$\text{For MIS-2500 series} \rightarrow P = \frac{(V_{out} - V_{off})}{4.5} \times P_{range}$$

$$\text{For MIS-2503 series} \rightarrow P = \frac{(V_{out} - V_{off})}{2.7} \times P_{range}$$

P : pressure value

V_{off}: Offset voltage, the output voltage of sensor without pressure applying

V_{out}: The output voltage of sensor when pressure applied

P_{range} : Pressure range of sensor

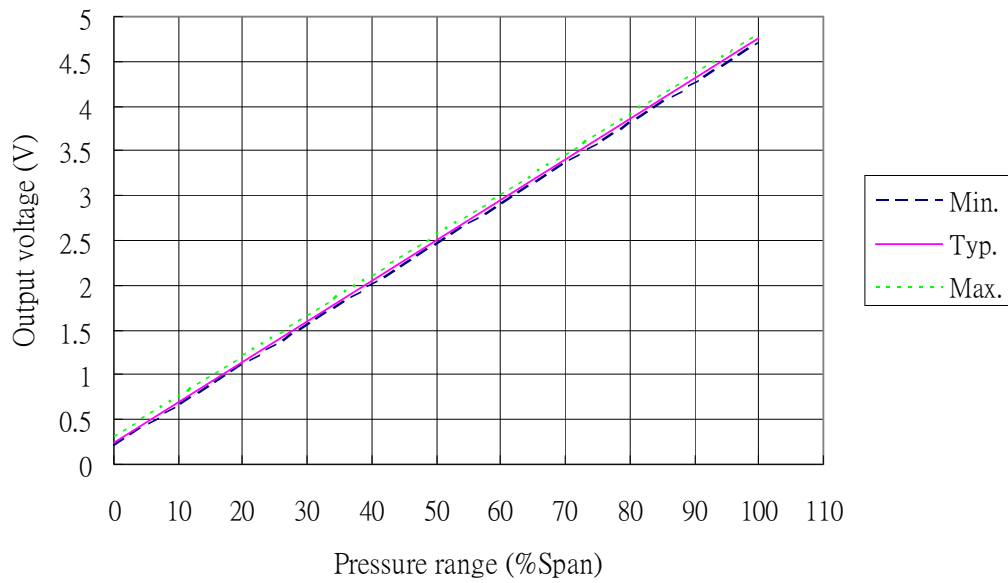
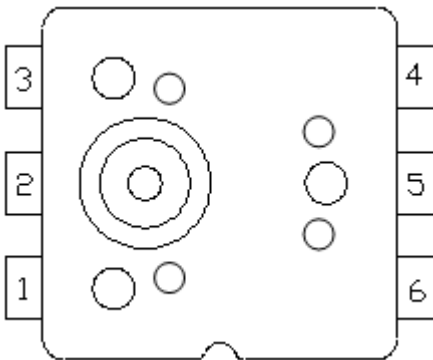


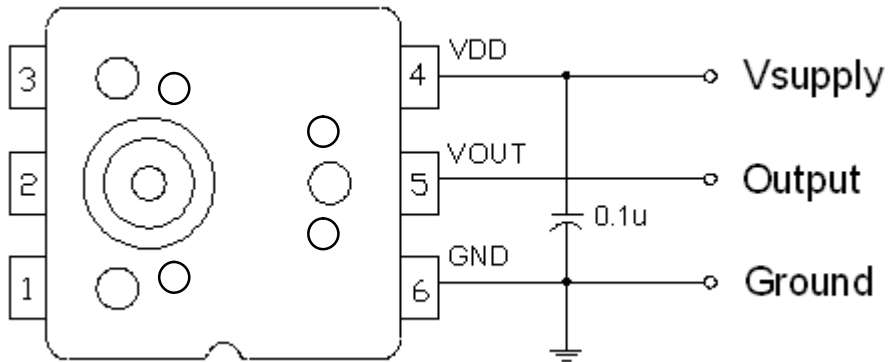
Fig.1 Output voltage vs. Pressure range

■ Pin Configuration

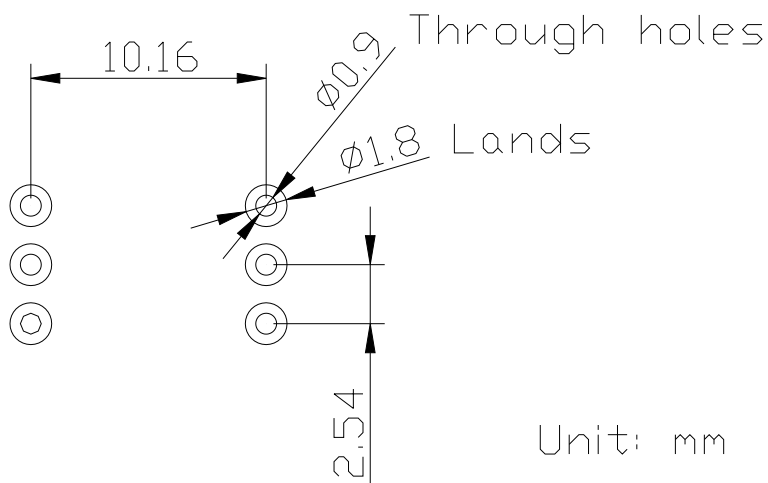


Pin No.	Name	Description
1	NC	No connection
2	NC	No connection
3	NC	No connection
4	VDD	Supply voltage
5	VOUT	Voltage output
6	GND	Ground supply

■ Application Circuit Examples

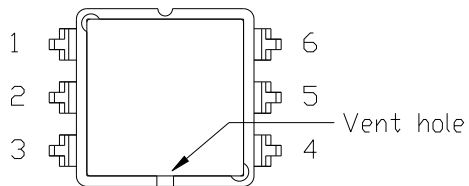
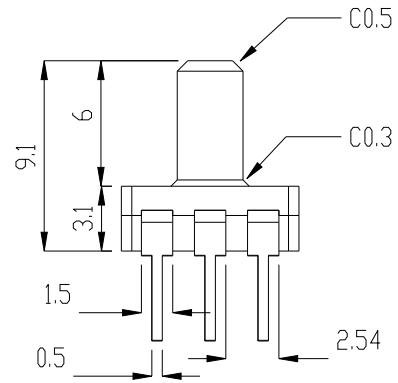
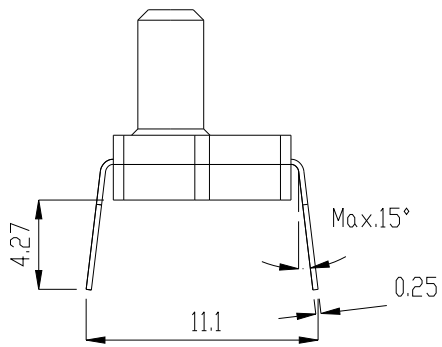
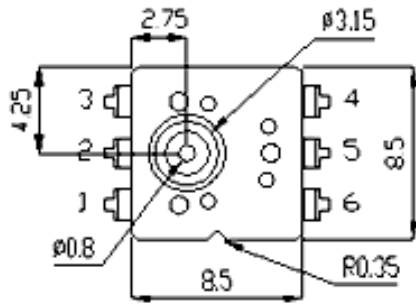


■ Recommended Footprint



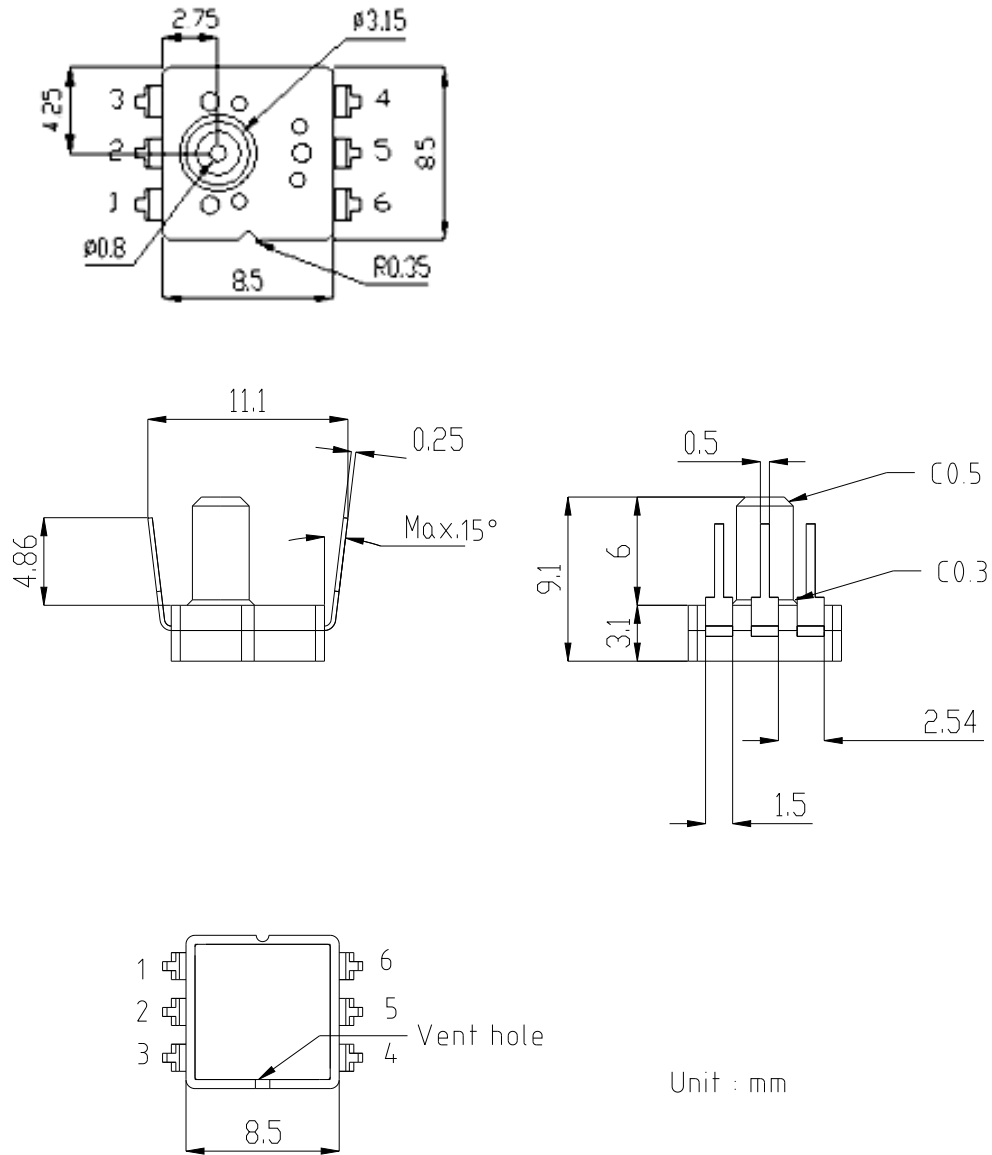
■ Outline Dimensions

➤ MIS-2500-006G



Unit: mm

➤ MIS-2500-006GR



 **Metrodyne Microsystem Corp.**

10, Prosperity Rd.II, Science-Based Industrial Park, Hsin-Chu 300, Taiwan, R.O.C.

Tel:886-3-5632161 Fax:886-3-5632509

E-mail:sales@metrodyne.com.tw <http://www.metrodyne.com.tw>