

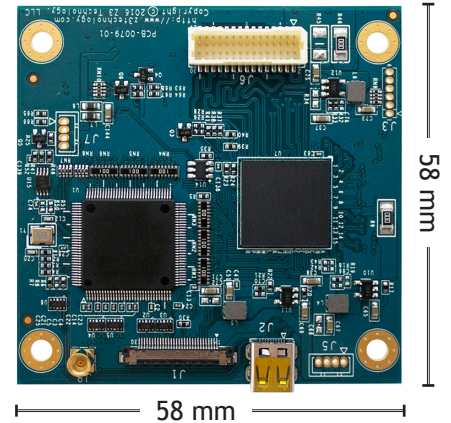
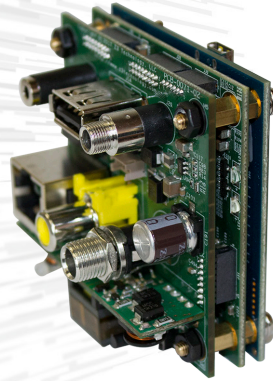


Dual Camera Full 4K Encoder

Designed for your Visible & IR Monitoring Needs

FV4K-DCK-1x

- H.265/H.264 Dual Camera Video Streaming
- Interfaces with HDMI, LVDS, and Composite cameras
- Programmable to support a variety of cameras
- High Quality Low Latency Encoding Pass
- Camera Control Commands over IP
- ONVIF Profile S & T Compliant



The FV4K-DCK-1x designed for dual camera inspection, surveillance, industrial and UAV applications. The flexibility of the system allows for a visible camera and an infrared or night vision camera. The hardware consists of a 3-board set: Input, Encoder and Connector PCB. The system is capable of encoding multiple channels of H.265 and H.264 video in 4K resolutions. The Input board features flexible digital and analog input ports. The encoder can be configured to stream over IP and simultaneously record to USB or micro SD card. This compact design only uses 4.5 watts of power when streaming from 2 cameras. The FV4K-DCK-1x is available with either software preloaded or with an optional SDK starter kit.



Technical

Interfaces

• Visible Camera Formats	Sony FCB-ER8550 , Micro HDMI
• HD and SD IR Formats	RS170, NTSC/PAL
• Recording	To either USB, or Micro SD
• Additional Interfaces	GigE, Audio Input, RS-485, Micro-HDMI Output, Composite Output

Video Codecs	H.265, H.264
--------------	--------------

Encoding Resolutions	4Kp30, 1080p (up to 60fps), 720p, NTSC/PAL, VGA, CIF and QVGA
----------------------	---

Output Formats	RTP, RTSP, MPEG-2 TS and RTMP ¹
----------------	--

- Low Latency, Low Power
- Ability to Resize HD Camera Input to Lower Resolutions Keeping Full Field of View
- SRT Modes Supported: Caller, Sender, Rendezvous & SRT Encryption
- Pass Camera Control Commands over IP
- Easy-to-Use HTTP-Based Control Interface
- ONVIF® Profile S & T
- Compatible with ZEUS® Video Decoders¹

Features

Specifications

Encoder Board Size	58 x 58 x 38 mm (2.28 x 2.28 x 1.49 in)
Encoder Board Weight	104g (aluminum heat pipe is additional 40g)
Power Consumption	4.5W typical while encoding 2 cameras in H.265 video at 1080p60
Power Supply	12V DC
Operating Temperature	-5°C to +70°C

¹in H.264 mode only

ORDERING OPTIONS

FV4K-DCK-1x OEM Production Set

- FV4K-DCK-1x Encoder Boards

*Note: Sony FCB-ER Series Camera Blocks and KEL ribbon cable sold separately**

FV4K-DCK-RPS OEM Starter Kit

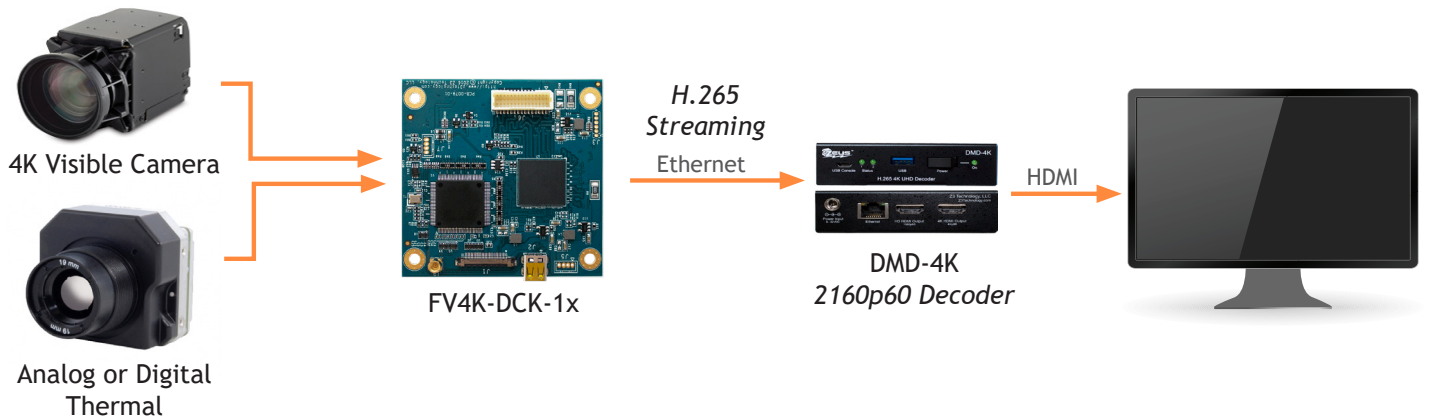
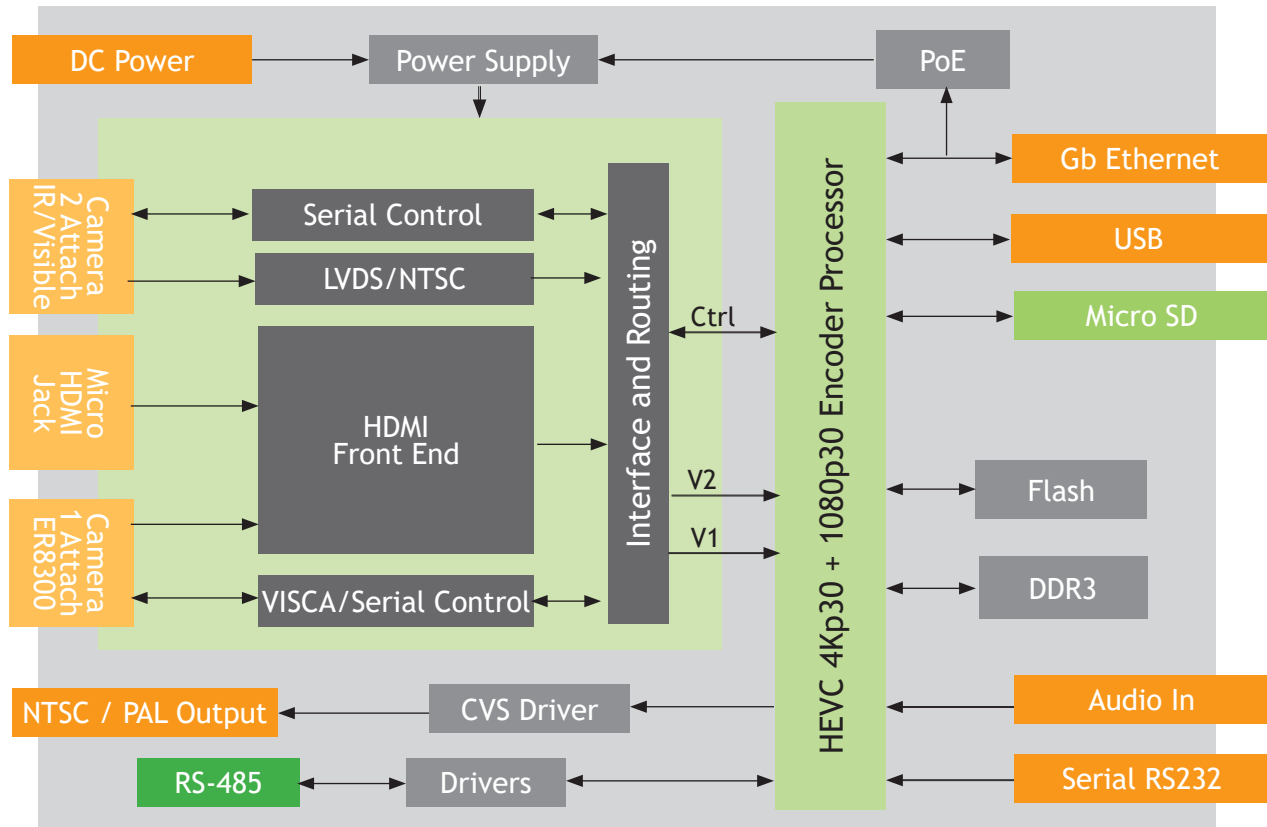
- FV4K-DCK-1x Encoder Boards
- Power Supply
- Software SDK
- Documentation
- Serial Cable
- KEL Cable

*Note: Sony FCB-ER Series Camera Block sold separately***

APPLICATIONS

- Inspection
- Security and Surveillance
- Industrial
- UAV and Drones
- Video Conferencing
- Customized Applications*

FV4K-DCK-1x Encoder (H.265 4Kp30 + 1080p30)



***Contact Z³ Technology for Customized Product Options**
sales@Z3technology.com +1.402.323.0702 www.Z3technology.com



Z³ Technology is an industry-leading, USA-based manufacturer of production-ready embedded multimedia solutions and IP camera systems. From our founders to our world-class engineers to our sales and customer service team, we understand your requirements and speak your language. Our experience allows us to provide cost-effective solutions to meet your multimedia product requirements. With the assistance of our robust worldwide distribution and sales networks, we can provide a simple solution for your multimedia needs.

