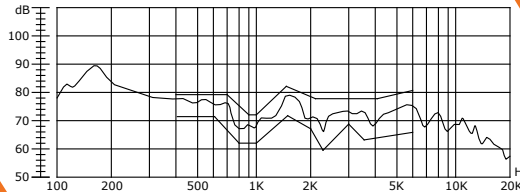
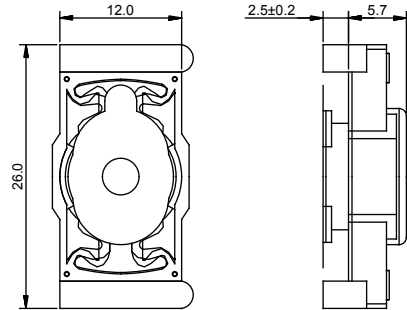


SoniCrest SPEAKER SOUND GENERATORS

SXT02A



Dimensions

Unit : mm

Tolerance : ± 0.3 mm

Frequency Response

Normalization to 1W Input Power
and 0.1m Measuring Distance

Specification (all data taken at 25°C unless otherwise specified)

Coil Impedance (Ω)	Rated Power (W)	Maximum Input Power (W)	Resonance Frequency (Hz)	Frequency Range (Hz)	*Sound Pressure Level at 1KHz (dB)	Operating Temperature (°C)	Storage Temperature (°C)
$8 \pm 15\%$	1	2	$500 \pm 20\%$	500 ~ 15000	75 ± 3	-40 ~ +85	-40 ~ +85

SXT02A-8

The specification are only for 8 Ω version. Specification for other impedance is available upon request.
*Value normalized to 1W input power and 0.1m measuring distance. Tested on 200 x 200mm fiberboard.