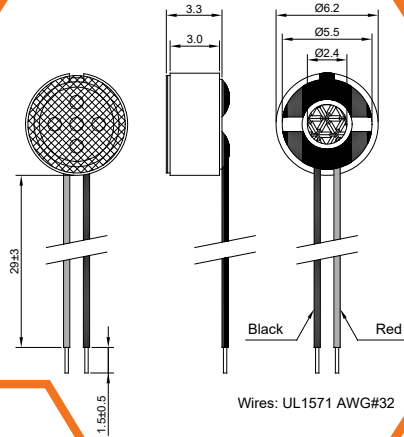
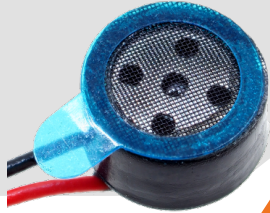


SoniCrest SPEAKER SOUND GENERATORS

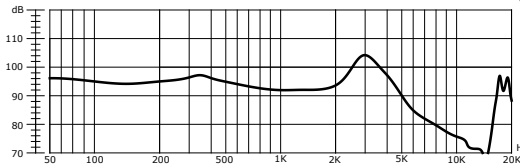
HSR06E



Wires: UL1571 AWG#32

Dimensions

Unit : mm
Tolerance : ± 0.3 mm



Frequency Response

Applied Signal: 1mW, Sine Wave
Based on IEC-R318 Standard

Specification (all data taken at 25°C unless otherwise specified)

| Coil Impedance (Ω) | Rated Power (mW) | Maximum Input Power (mW) | *Sensitivity at 1KHz (dB) | *Frequency Range (Hz) | Total Harmonic Distortion (Hz) | Operating Temperature ($^{\circ}$ C) | Storage Temperature ($^{\circ}$ C) |
|-----------------------------|------------------|--------------------------|---------------------------|-----------------------|--------------------------------|---------------------------------------|-------------------------------------|
| 20 \pm 10% | 1 | 3 | 93 \pm 3 | 100 ~ 10000 | <5% | -20 ~ +60 | -30 ~ +70 |

HSR06E-20

The specification are only for 20 Ω version. Specification for other impedance is available upon request.

*Value applied: 1mW input power, based on IEC-R318 standard.