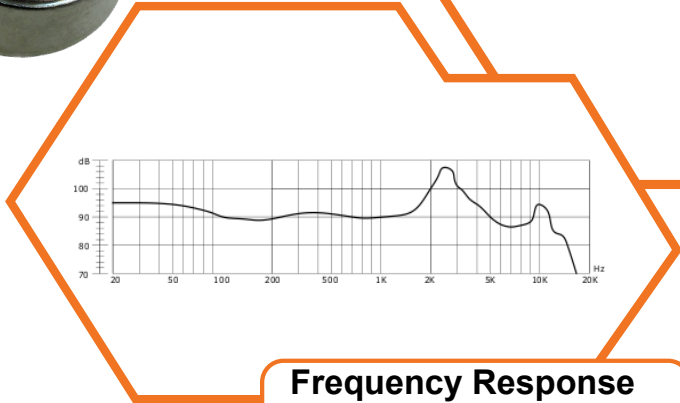
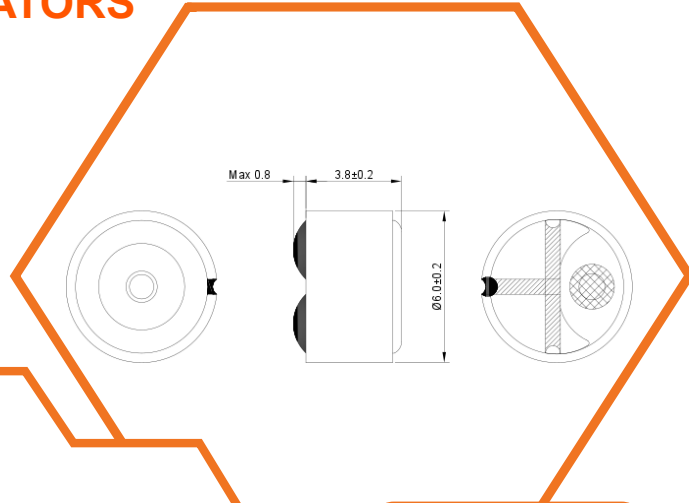


# SoniCrest SPEAKER SOUND GENERATORS

## HSR06D



**Dimensions**  
Unit : mm  
Tolerance : ±0.3mm

**Frequency Response**  
Applied Signal: 1mW, Sine Wave  
Based on IEC-R318 Standard

**Specification** (all data taken at 25°C unless otherwise specified)

Coil Impedance (Ω)	Rated Power (mW)	Maximum Input Power (mW)	*Sensitivity at 1KHz (dB)	*Frequency Range (Hz)	Total Harmonic Distortion (Hz)	Operating Temperature (°C)	Storage Temperature (°C)
16 ± 15%	1	3	90 ± 3	100 ~ 10000	<5%	-10 ~ +60	-10 ~ +70

HSR06D-16

The specification are only for 16Ω version. Specification for other impedance is available upon request.  
\*Value applied: 1mW input power, based on IEC-R318 standard.