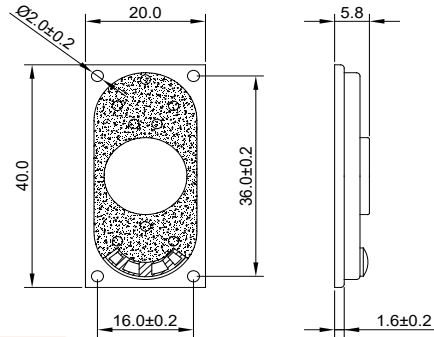


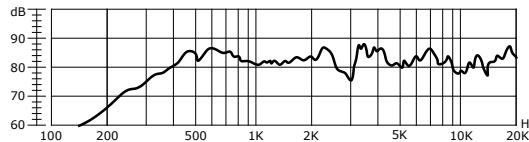
SoniCrest SPEAKER SOUND GENERATORS

HSP2040G



Dimensions

Unit : mm
Tolerance : ±0.3mm



Frequency Response

Normalization to 1W Input Power and
1m Measuring Distance

Specification (all data taken at 25°C unless otherwise specified)

Coil Impedance (Ω)	Rated Power (W)	Maximum Input Power (W)	Resonance Frequency (Hz)	*Frequency Range (Hz)	*Average Sound Pressure Level (dB)	Operating Temperature (°C)	Storage Temperature (°C)
8 ± 15%	2.0	3.0	900 ± 20%	900 ~ 20000	91 ± 3	-20 ~ +70	-30 ~ +85

HSP2040G-8

The specification are only for 8Ω version. Specification for other impedance is available upon request.
*Value normalized to 0.1W input power and 0.1m measuring distance.