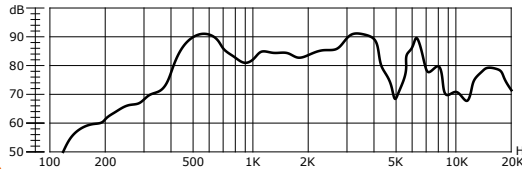
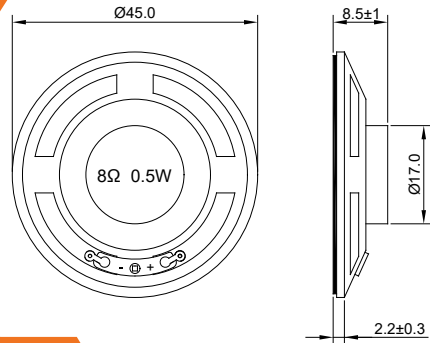


SoniCrest SPEAKER SOUND GENERATORS

HSB45L



Dimensions

Unit : mm
Tolerance : ± 0.3 mm

Frequency Response

Normalization to 0.5W Input Power and
0.5m Measuring Distance

Specification (all data taken at 25°C unless otherwise specified)

Coil Impedance (Ω)	Rated Power (W)	Maximum Input Power (W)	Resonance Frequency (Hz)	*Frequency Range (Hz)	*Average Sound Pressure Level (dB)	Operating Temperature ($^{\circ}$ C)	Storage Temperature ($^{\circ}$ C)
$8 \pm 15\%$	0.5	1	$650 \pm 20\%$	650 ~ 5000	87 ± 3	-20 ~ +60	-20 ~ +60

HSB45L-8

The specification are only for 8 Ω version. Specification for other impedance is available upon request.
*Value normalized to 0.5W input power and 0.5m measuring distance.