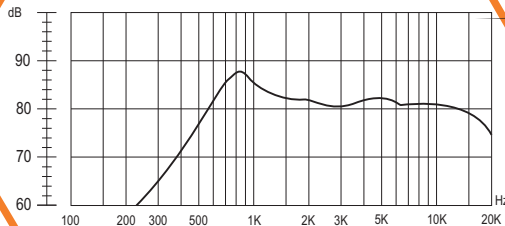
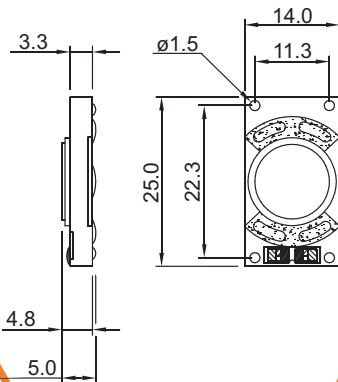


# SoniCrest SPEAKER SOUND GENERATORS

## HSB1425A



### Dimension

Unit : mm  
Tolerance :  $\pm 0.3$ mm

### Frequency Response

Normalized to 1W Input Power and  
0.3m Measuring Distance

- **Specification** (all data taken at 25°C unless otherwise specified)

Coil Impedance ( $\Omega$ )	Rated Power (W)	Maximum Input Power (W)	Resonance Frequency (Hz)	★Frequency Range (Hz)	★sound Output at 1kHz (dB)	Operating Temperature (°C)	Storage Temperature (°C)
8 $\pm$ 15%	1	4.5	700 $\pm$ 20%	700 ~ 20000	85 $\pm$ 3	-20 ~ +60	-30 ~ +70

### HSB1425A-8

The specification are only for 8 $\Omega$  version. Specification for other impedance is available upon request.  
★value normalized to 1W input power and 0.3m measuring distance.