

## 1 GENERAL

### Summarizing:

- Relative pressure transducer
- Pressure range: typically 0 – 4 bar (customisable 0 – 7 bar)
- Output signal: typically 0.5 – 2.5 Volt (customisable 0.5 – 4.5 Volt)
- Electronic fully integrated in the device
- Ratiometric output signal digitally calibrated, compensated and amplified

### And moreover:

- Pressure connection:
  - o Outside thread G 3/8" or
  - o Fast connection with plug-fitting  $\varnothing$  15 mm
  - o Other pressure connection on demand
- Electrical connection
  - o Connector 3-pole, Rast 2.5 mm, Lumberg 3521-03-K39 or equivalent
- IP00

## 2 CONSTRUCTION FEATURES

### 2.1 Storage conditions

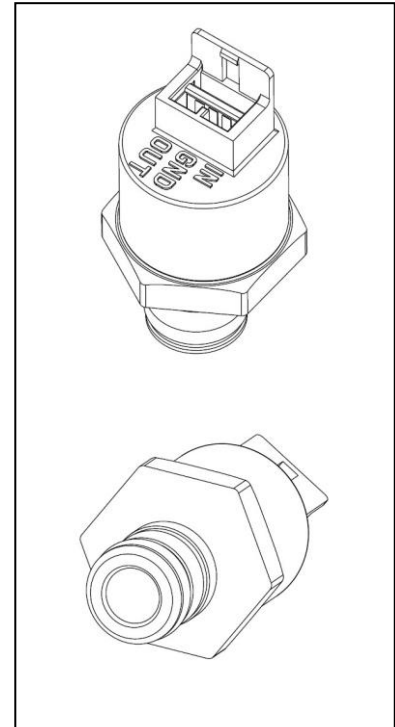
Ambient temperature : -40 – 85°C  
Relative humidity: 10 – 80% UR

### 2.2 Temperature

Medium temperature: 2°C – 90°C  
Maximum medium temperature: 1min @ 110°C  
Ambient temperature: -10°C – 85°C

### 2.5 Materials

Housing material: glass fiber reinforced plastic.



## 3 TECHNICAL CHARACTERISTICS

### 3.1 Hydraulic characteristics

- Pressure range: 0 – 4 bar (customisable 0 – 7 bar)
- Overload: 8 bar
- Breakdown pressure: 15 bar

### 3.2 Electrical characteristics

#### 3.2.1 Absolute maximum ratings

	Min	Max
Supply Voltage (Vdd)	-14 V	16 V
Output Voltage (Vout)	-0.5 V	16 V

### 3.2.2 Electric strenght and Insulation resistance

Electric strenght	1 min @ 2000 Vac (level 2mA)	Between live parts and fluid
Insulation resistance	1 min @ 500 Vdc	Rins > 20 Mohm

### 3.2.3 Operational parameters

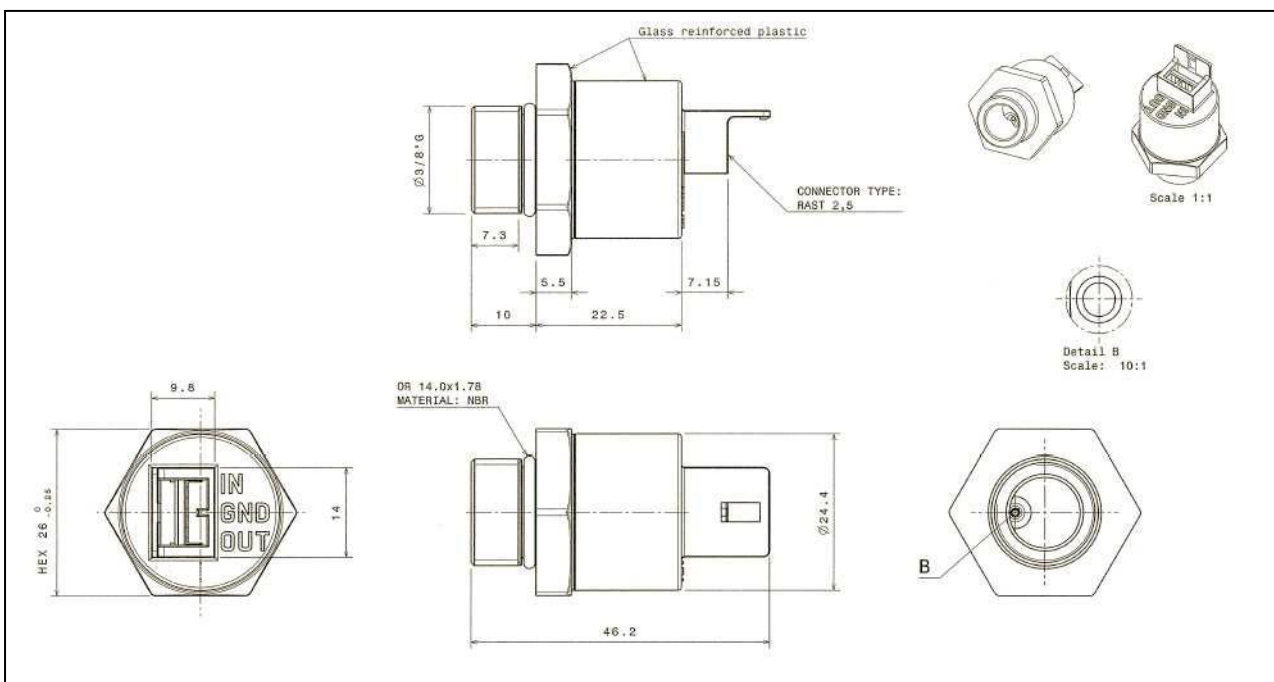
Unless otherwise specified: Vdd=5Vdc±10%

PARAMETER			Min	TYP	Max	Units
Supply Voltage	Vdd	Operating	4.5	5	5.5	Vdc
Supply Current	Idd	@ Vdd=5V±10%	4	6	10	MA
Output Voltage	Vout	@ 0 pressure	0.46	0.5	0.54	V
	Vout	@ full scale pressure	4.46	4.5	4.54	V
Current Consumption					5	mA

### 3.2.4 Signal characteristics

- Response time: <5 ms
- Accuracy:
  - Linearity: < ±2% F.S.
  - Zero point variation with temperature: ± 0.05% FS/deg typ.
  - Sensitivity variation with temperature: ± 0.05% FS/deg typ.
  - Ratiometric error: typically < 0.5% F.S. typ.

Examples drawings (hydraulic connection can be customized).



#### TECNOSENS S.p.A.

Via Vergnano, 16 – 25125 BRESCIA – ITALIA Tel. +39.030.3534144 Fax +39.030.3530815  
 Cod. fiscale, P.IVA, Registro Imprese di Brescia 03281810170 Cap. soc. int. vers. Euro 600.000,00  
 E-mail: [info@tecnosens.it](mailto:info@tecnosens.it) Pec: [tecnosens@legalmail.it](mailto:tecnosens@legalmail.it) Web site: [www.tecnosens.it](http://www.tecnosens.it)