

SR-6 - Sensor Socket for TGS24xx and 26xx-series Sensors

Features:

- * Durable for over 100 insertions and removals
- * Firmly fixes sensor into place

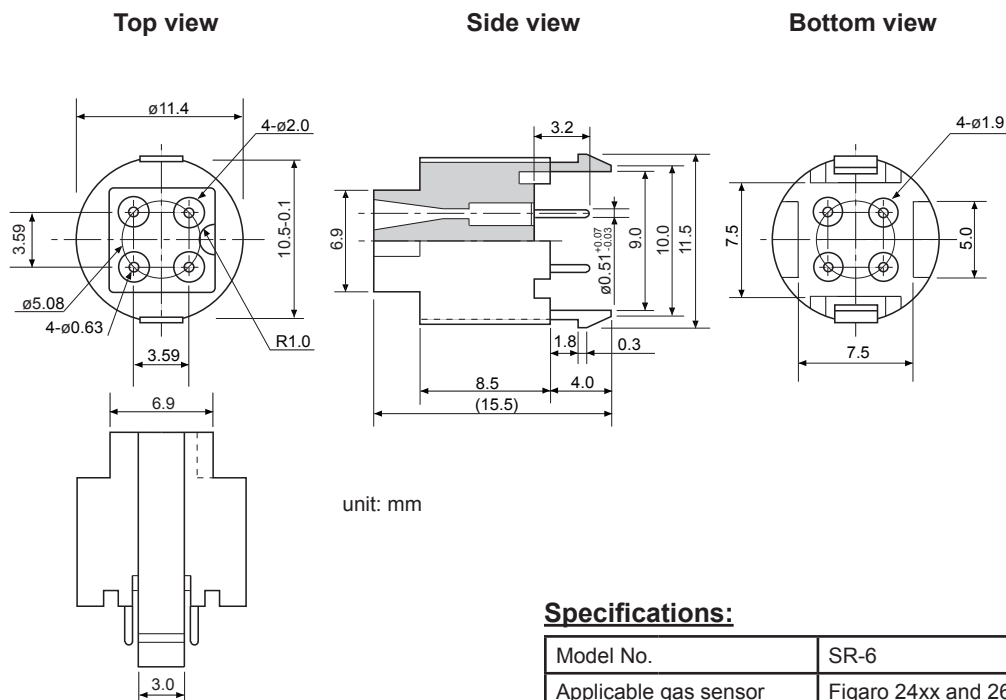
Applications:

- * For use in preheating racks, test and calibration equipment
- * For use in finished products



SR-6 is a reliable and durable socket supplied by Figaro, designed specifically for usage with TGS24xx and 26xx series sensors.

Structure and Dimensions



Specifications:

Model No.	SR-6	
Applicable gas sensor	Figaro 24xx and 26xx series	
Operating conditions	-20°C ~ 70°C	
Material	Contact pins	Beryllium copper (gold plate finish)
	Sleeve	Brass or bronze (tin plate finish)
	Insulator	Polyphenylene sulfide (PPS)
Weight	approx 1.5g	

Recommended PCB Layout

