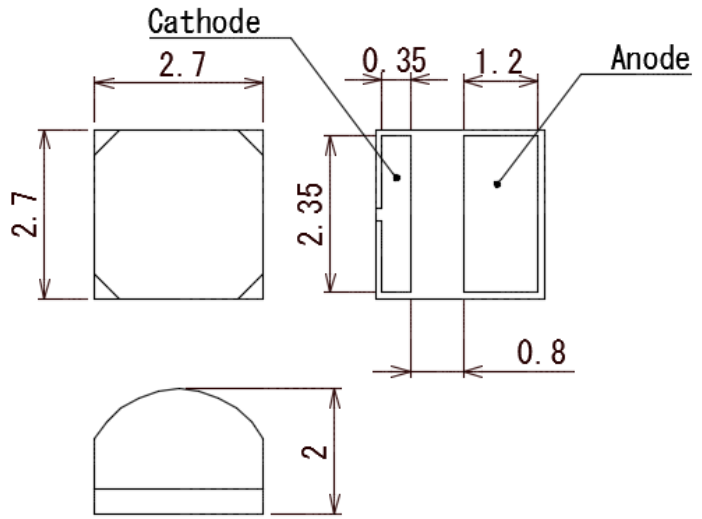


ULTRA VIOLET LED SMD Type

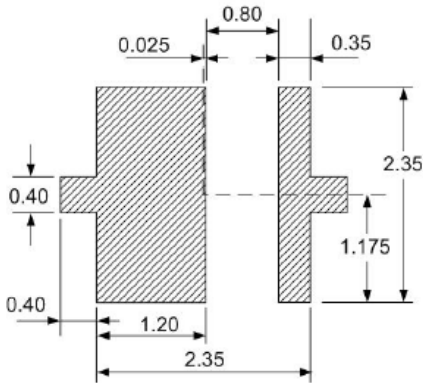
(1) Absolute Maximum Ratings

Item	Symbol	Maximum Rating	Unit
DC Forward Current	I_F	700	mA
Junction Temperature	T_j	90	°C
Operating Temperature	T_{OPR}	-10 to +85	°C
Storage Temperature	T_{STG}	-40 to +100	°C

(2) Dimension (Unit : mm) Tolerance ±0.2mm



(3) Recommended Soldering Pattern (Unit : mm)



(4) Optical and Electrical Characteristics (Ta=25°C, RH=30%)

Item	Symbol	Condition	Min.	Typ.	Max.	Unit
Forward Voltage*1	NS365L	$I_F=500\text{mA}$	-	3.8	-	V
	NS385L			3.6		
	NS405L			3.5		
Peak Wavelength*2	NS365L	$I_F=500\text{mA}$	360	-	370	nm
	NS385L		380		390	
	NS405L		400		410	
Full Width at Half Maximum	NS365L	$I_F=500\text{mA}$	-	9	-	nm
	NS385L			12		
	NS405L			15		
Optical Output Power *3	NS365L	$I_F=500\text{mA}$	-	800	-	mW
	NS385L			1000		
	NS405L			930		

*1 Measurement error : ±3%

*2 Measurement error : ±3nm

*3 Measurement error : ±10%



CAUTION

- LEDs emit very strong UV radiation.
- Don't look directly into the LED light. UV radiation can harm your eyes.
- To prevent even inadequate exposure, wear protective eyewear.
- If LEDs are embedded in devices, please indicate warning labels against the UV light LED used.
- Keep out of reach of children.



INSTRUCTION FOR USE

Heat dissipation should be considered in the application design to avoid the environmental conditions for operation in excess of the absolute maximum ratings.
 Use a heat sink.
 The humidity environment of products should be maintained 40~75%RH in design and use whether keeping operating.

Specification and dimension are subject to change for improvement without notice.