

# FCB-ES8230

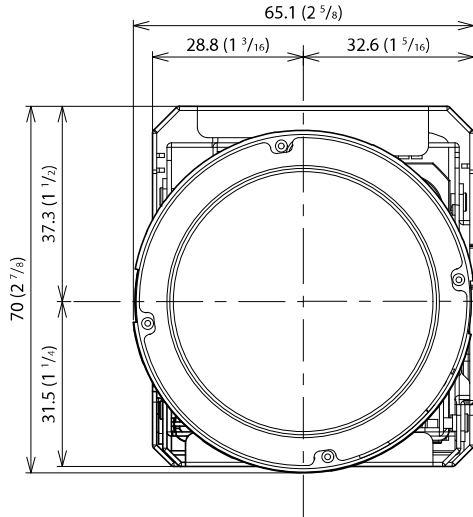
## Specifications

Imager	1 Type "Exmor R" CMOS Sensor	White Balance	Auto, ATW, Indoor, Outdoor, One Push WB, Manual WB, Outdoor Auto, Sodium Vapor Lamp (Fix/Auto/Outdoor Auto)
Picture elements	8510K pixels	Gain	Auto/Manual (0 to 48 dB (0 to 16 step)) Max. Gain Limit (9 to 48 dB (3 to 12 step))
Lens	12× Zoom f = 9.3 mm (Wide), 111.6 mm (Tele), F2.8 to F4.5 Zoom movement speed Optical Wide – Optical Tele 2.56 sec (Focus Tracking On) Optical Wide – Super resolution zoom Tele 2.88 sec Digital Wide – Digital zoom Tele 4.61 sec Focus Movement time ∞ to Near 0.34 sec	Noise Reduction	On/Off (level 5 to 1 / Off, 6 steps)
Digital zoom	12× (144× with optical zoom)	Defog mode	On/Off (Low, Mid, High)
Angle of view (H)	Approx. 64.6 degrees (Wide end, Image stabilizer Off) Approx. 6.1 degrees (Tele end, Image stabilizer Off) Approx. 64.5 degrees (Wide end, Image stabilizer On) Approx. 6.1 degrees (Tele end, Image stabilizer On)	Aperture control	16 steps
Min. working distance	80 mm (Wide end), 1000 mm (Tele end)	Preset	16-POSITIONS
Min. illumination (Typical)	0.5 lx (1/30 sec, 50%, High Sensitivity mode On) 2.0 lx (1/30 sec, 50%, High Sensitivity mode Off) 0.067 lx (1/4 sec (1/3 sec), 50%, High Sensitivity mode On) 0.267 lx (1/4 sec (1/3 sec), 50%, High Sensitivity mode Off)	Camera control IF	VISCA protocol (CMOS 3.1V) PTP USB 9.6 kbps, 19.2 kbps, 38.4 kbps, 115.2 kbps, Stop bit, 1 bit
Sync system	Internal	Video Output	Digital (HDMI)
Recommended illumination	100 lx to 100,000 lx	Storage temperature/Humidity	-20 °C to +60 °C (-4 °F to +140 °F)/ 20% to 95% Absolute humidity: 36 g/m <sup>3</sup>
S/N ratio	50 dB (Weight On)	Operating temperature/Humidity	-5 °C to +60 °C (23 °F to 140 °F)/ 20% to 80% Absolute humidity: 36 g/m <sup>3</sup>
Back light compensation	On/Off	Power requirements	6 V to 12 V DC
Electronic shutter speed	1/1 sec to 1/10000 sec (22 steps)	Power consumption	5.2 W (When the motor operates: 4.0 W)
		Mass	520 g (18.3 oz.)
		Dimensions	65.1 × 70.0 × 134.8 mm (2 <sup>5</sup> / <sub>8</sub> × 2 <sup>7</sup> / <sub>8</sub> × 5 <sup>3</sup> / <sub>8</sub> in.) (w/h/d)

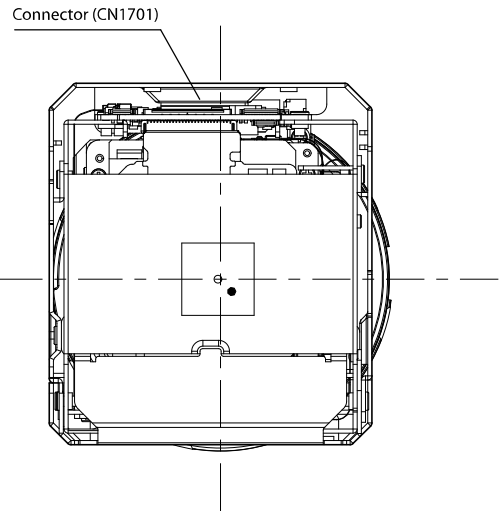


# Dimensions

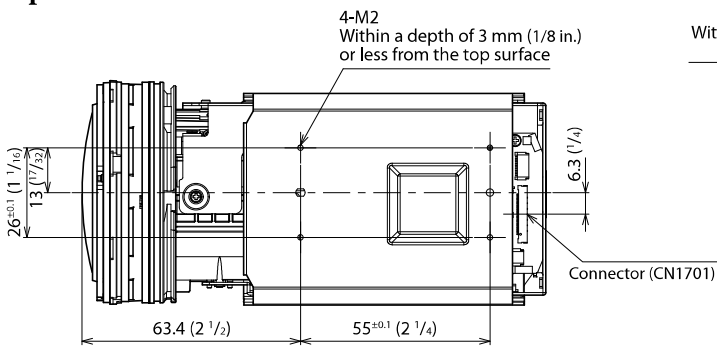
**Front**



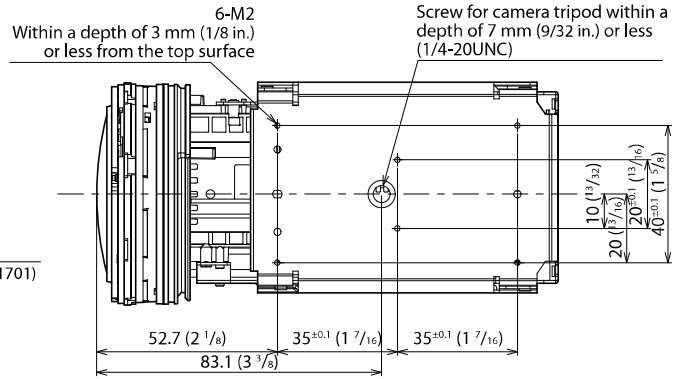
**Back**



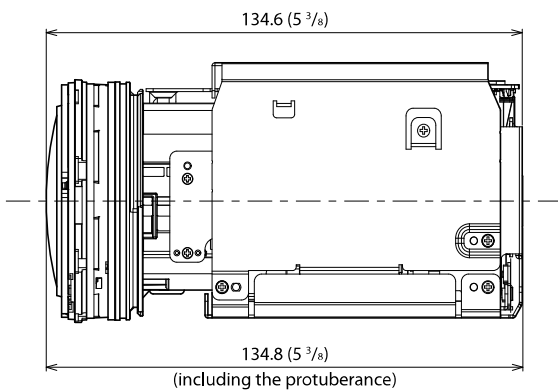
**Top**



**Bottom**



**Left side**



**Right side**

