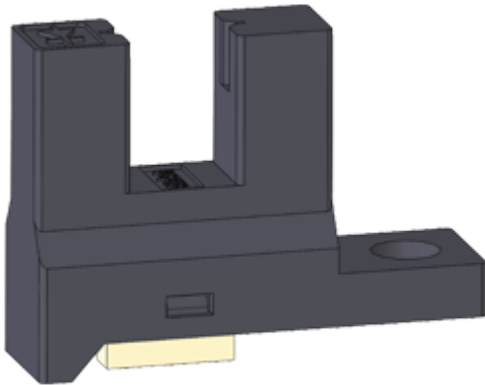


## KI3110

**Product code:** KI3110

**Manufacturer:** Shinkoh electronics



Photointerrupter KI3110 consists of an Infrared LED and a Photo IC with digital output.

Its main features are:

- High resolution with a slit width of 0.25 mm;
- Built-in Capacitor between Vout and GND;
- Visible Light cut filter;

This photointerrupter is suggested for applications where it is necessary to detect the passage of objects, such as coins, banknotes, cards, paper, and thus in:

- Vending machines;
- Card readers, bill exchanger, coins passing;
- Ticketing machines;
- O.A. equipment;

Model KI3110 has an open collector output

<b>Slot Width</b>	5 mm
<b>Mounting</b>	Connector
<b>Output</b>	Photo IC output
<b>Output Mode</b>	Digital high level
<b>Series</b>	KI Series