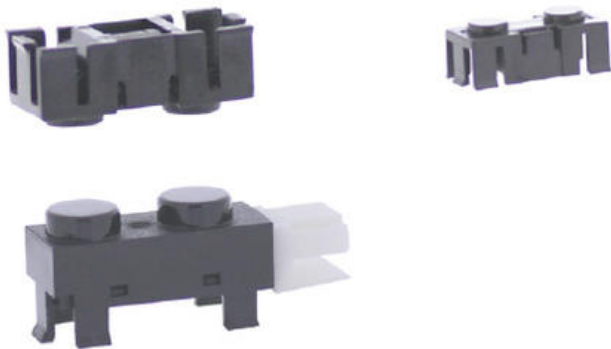


# KP1430

**Product code:** KP1430

**Manufacturer:** Shinkoh electronics



Model KP1430 is a prism type photo sensor consisted of an Infra Red LED and a Photo transistor.

Feature:

- High resolution to object position.
- Available for detection of bill/dark paper.
- Distance between sensor and prism can be set.
- For application of dual beam sensor.

Application:

- Paper absence and Paper edge detection on Bill, Copying machine, Printer, and Facsimile.
- Object position detection.

<b>Dust Proof</b>	No
<b>Gap</b>	30mm
<b>Mounting</b>	Snap-in & Connector
<b>Output</b>	Analog output
<b>Output Mode</b>	Livello logico alto
<b>Series</b>	KP Series
<b>Output type</b>	Pull-up